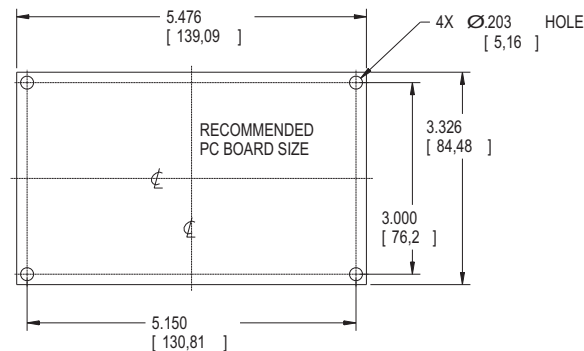
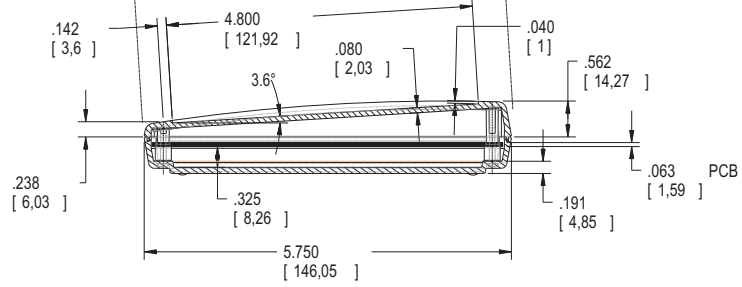
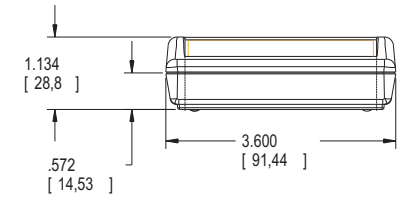
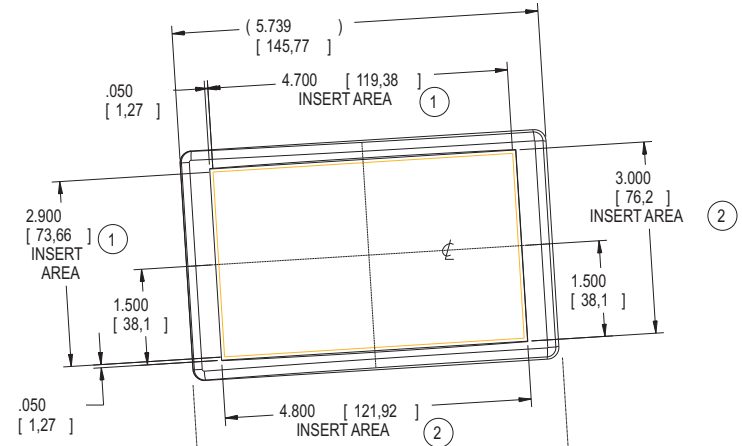
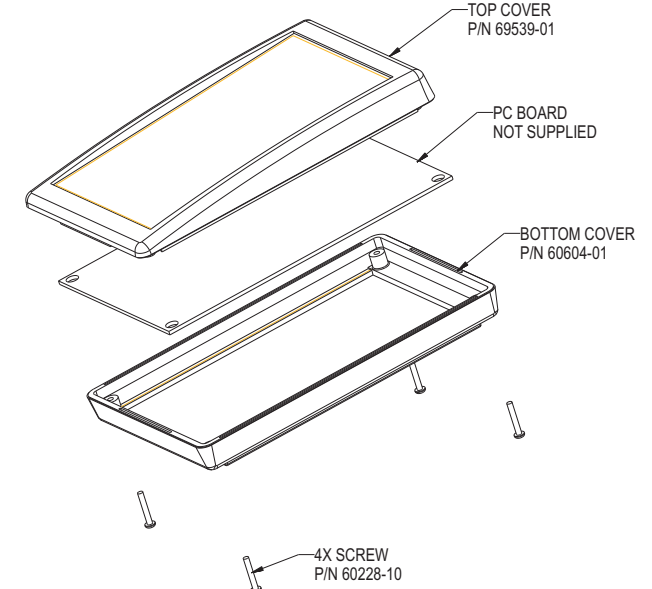
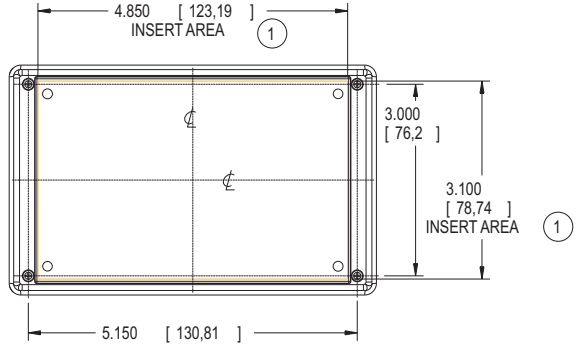


INTERIOR VIEW OF BOTTOM COVER



RECOMMENDED PC BOARD SIZE



NOTES
 ① EXTERIOR INSERT AREA FOR IN MOLD MODIFICATION.
 ② INTERIOR INSERT AREA FOR IN MOLD MODIFICATION.

| | |
|--|------------------|
| Bezeichnung: Industriegehäuse Artikel-Nummer: GHozKSo85/005 GHozKSo85/505 | Maße in mm |
| | |
| | |