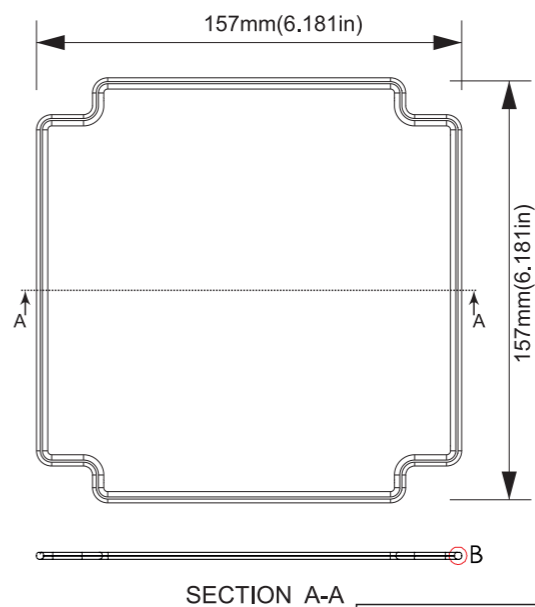
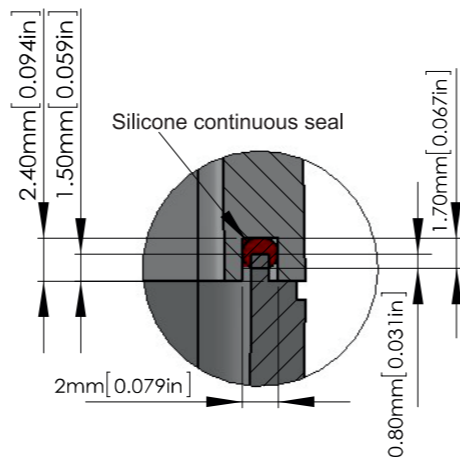
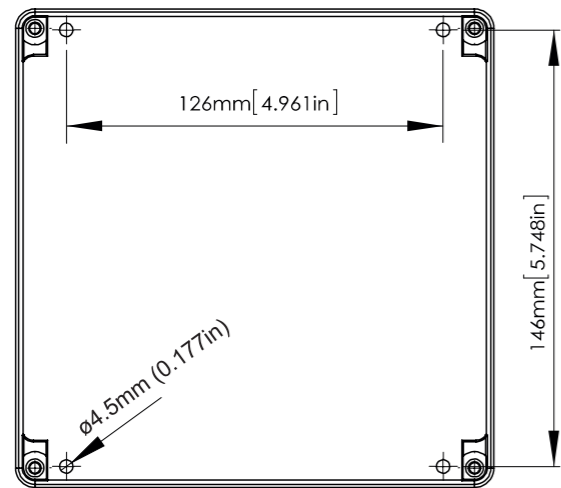
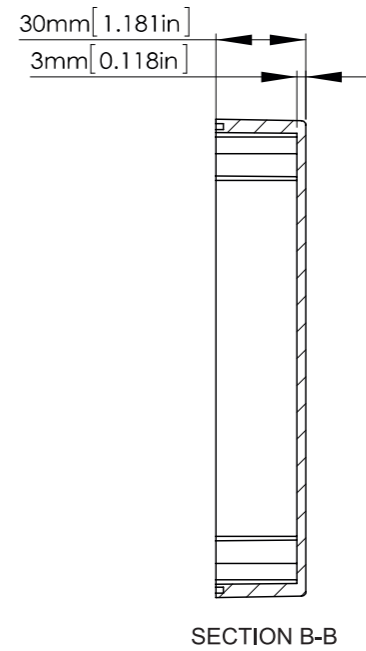
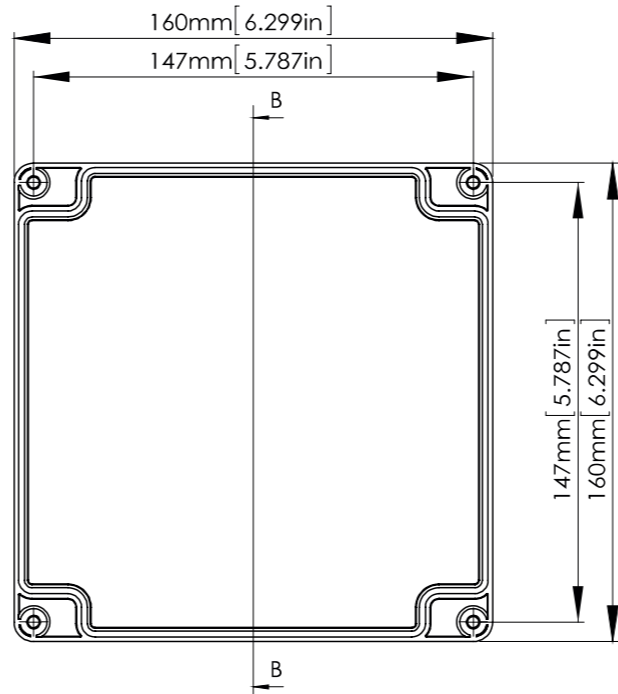
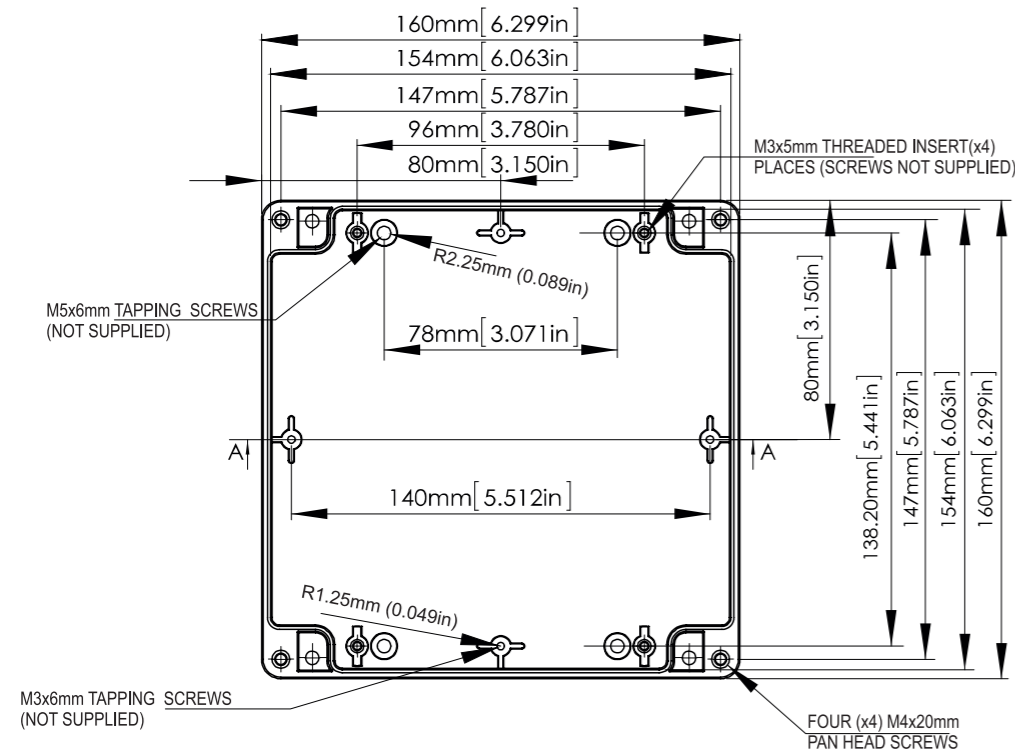
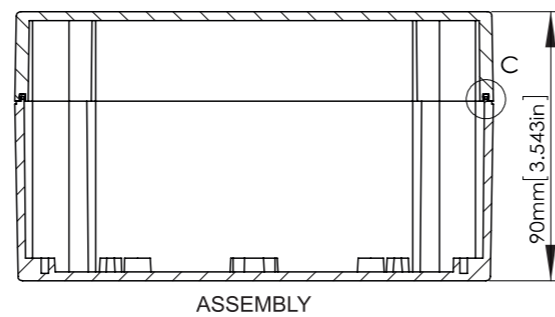
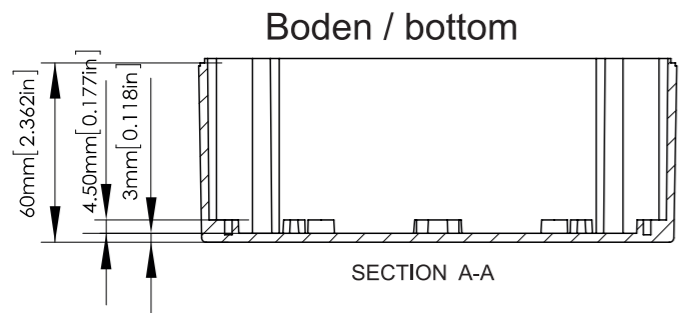
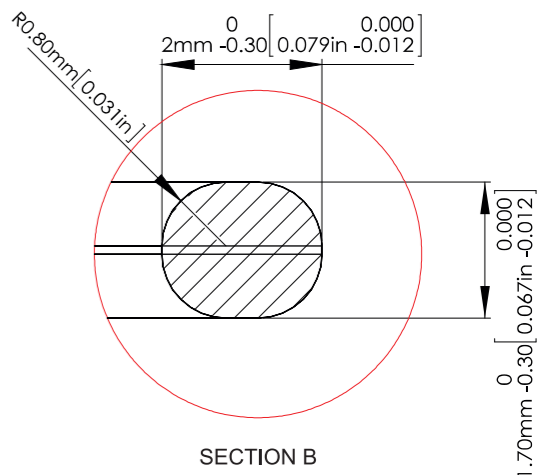


Boden / bottom

Deckel / cover



Dichtung/sealing



According to ISO 2768-m

| Measuring DIM=L | Tolerances |
|--------------------|------------|
| 0.5<L<=3.0mm | ±0.1mm |
| 3.0<L<=6.0 mm | ±0.1mm |
| 6.0<L<=30.0 mm | ±0.2mm |
| 30.0<L<=120.0 mm | ±0.3mm |
| 120.0<L<=400.0 mm | ±0.5mm |
| 400.0<L<=1000.0 mm | ±0.8mm |

RICHARD WÖHR
GMBH

Gräfenau 58-60
D-75339 Höfen / Enz
Telefon (07081) 9540-0
Telefax (07081) 9540-90
Richard@WoehrGmbH.de
www.WoehrGmbH.de

Bezeichnung: /Expression
Industriegehäuse
industrial enclosure

Artikel-Nummer:
GH02KS002/200IP68
GH02KS002/600IP68

Maße in mm
dimensions
are in mm

Version:
26.05.2020