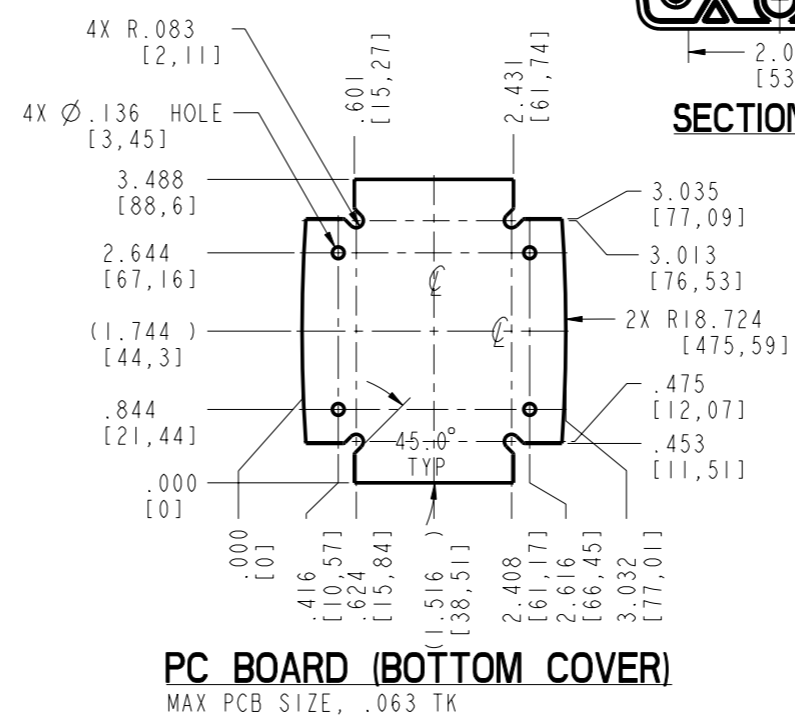
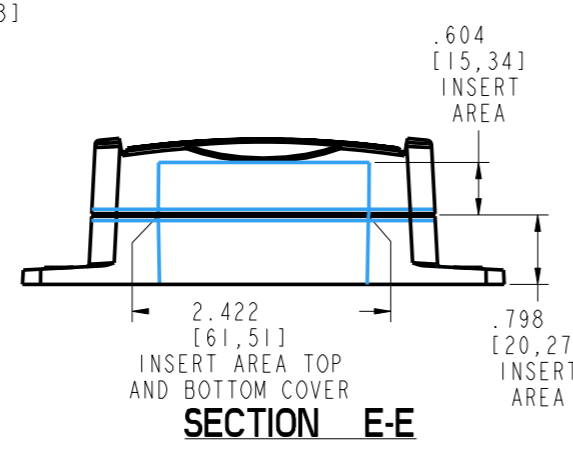
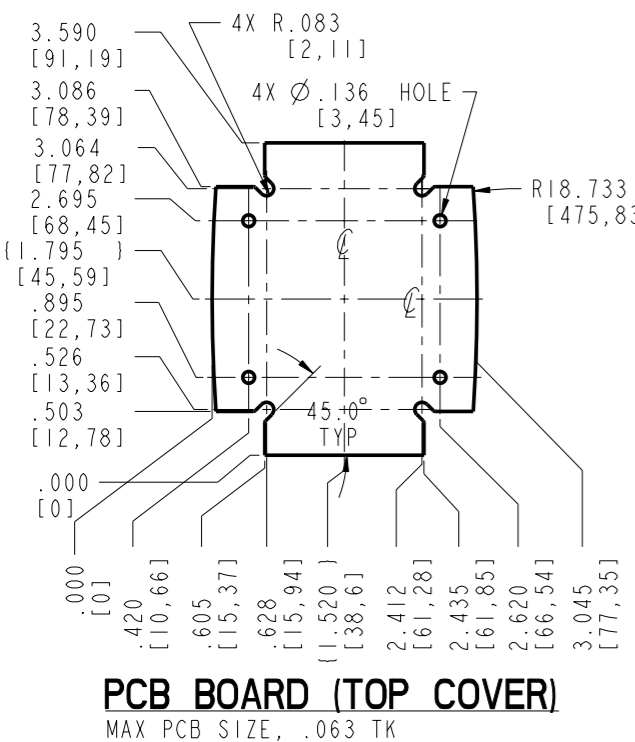


- NOTES:
 1. USE #4 TYPE "B" THREAD FORMING SCREWS X .25 [6.3] OR .31 [7.9] LONG TO MOUNT CIRCUIT CARD ASSEMBLY IN POSITION 2.
 2. TORQUE VALUE FOR ASSEMBLY SCREWS 5-6 INCH/POUNDS.

MATERIAL:
 POLYCARBONATE (HB) WITH UV STABILIZER
 COLOR:
 LIGHT GRAY #332
 INSERT AREAS ARE SECTIONS IN OUR TOOLS THAT CAN BE REMOVED AND REPLACED WITH CUSTOMER SPECIFIC DETAILS



Bezeichnung: Industriegehäuse	Maße in mm
Artikel-Nummer: GHozKS049/005	