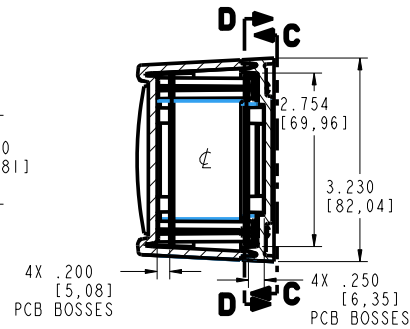
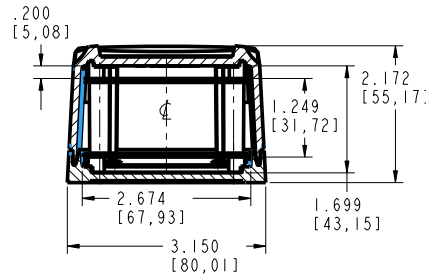
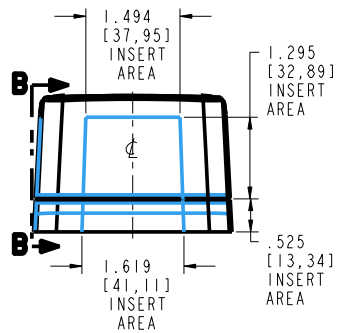
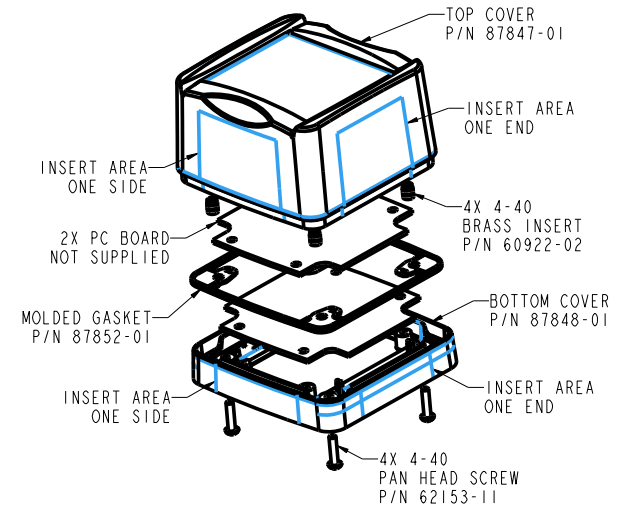


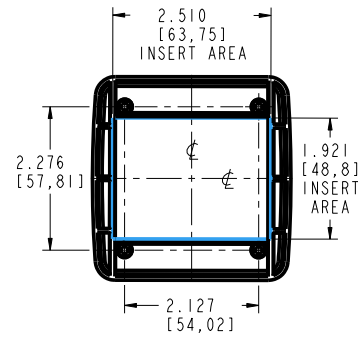
SECTION D-D



SECTION E-E



SECTION A-A



SECTION C-C

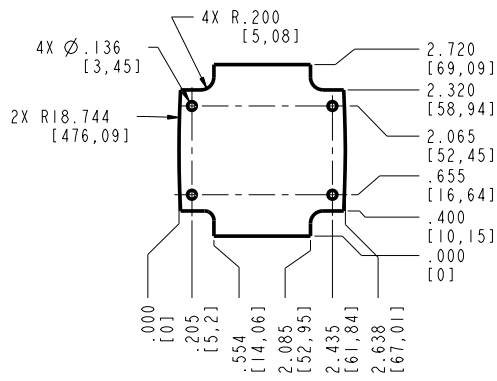
NOTES:

1. USE #4 TYPE "B" THREAD FORMING SCREWS X .25 [6,3] LONG TO MOUNT CIRCUIT CARD ASSEMBLY.
2. TORQUE VALUE FOR ENCLOSURE ASSEMBLY SCREWS 5-6 INCH/POUND.

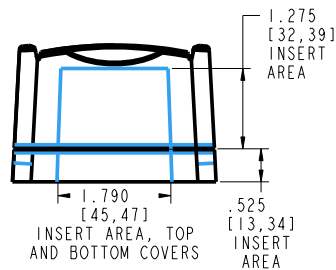
MATERIAL:
POLYCARBONATE (HB)
WITH UV STABILIZER

COLOR:
LIGHT GRAY #332

INSERT AREAS ARE SECTIONS IN OUR TOOLS
THAT CAN BE REMOVED AND REPLACED WITH
CUSTOMER SPECIFIC DETAILS



PC BOARD (TOP & BOTTOM COVERS)
MAX DIMENSIONS, .063 [1,6] TK



SECTION B-B

Bezeichnung:
Industriegehäuse

Artikel-Nummer:
GHozKSo49/002

Maße
in
mm