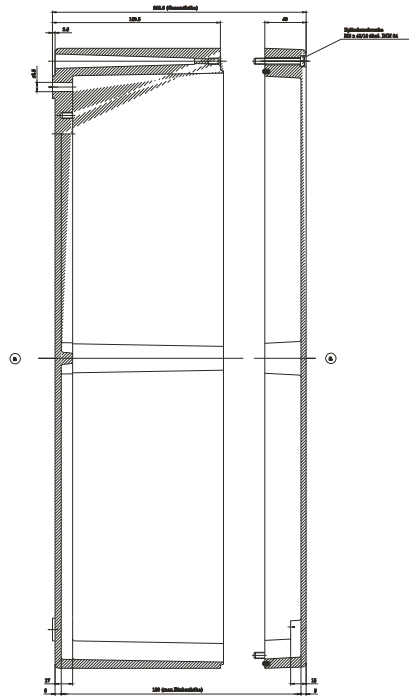
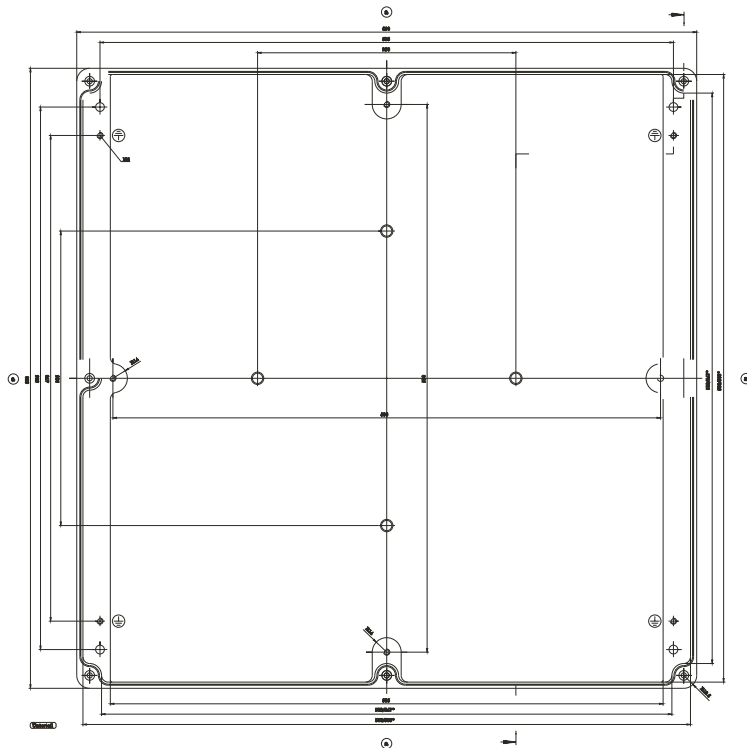


• = 0.5 mm thick  
 • = 1 mm thick  
 • = 1.5 mm thick  
 • = 2 mm thick  
 • = 3 mm thick  
 • = 4 mm thick  
 • = 5 mm thick  
 • = 6 mm thick  
 • = 7 mm thick  
 • = 8 mm thick  
 • = 9 mm thick  
 • = 10 mm thick  
 • = 11 mm thick  
 • = 12 mm thick  
 • = 13 mm thick  
 • = 14 mm thick  
 • = 15 mm thick  
 • = 16 mm thick  
 • = 17 mm thick  
 • = 18 mm thick  
 • = 19 mm thick  
 • = 20 mm thick  
 • = 21 mm thick  
 • = 22 mm thick  
 • = 23 mm thick  
 • = 24 mm thick  
 • = 25 mm thick  
 • = 26 mm thick  
 • = 27 mm thick  
 • = 28 mm thick  
 • = 29 mm thick  
 • = 30 mm thick  
 • = 31 mm thick  
 • = 32 mm thick  
 • = 33 mm thick  
 • = 34 mm thick  
 • = 35 mm thick  
 • = 36 mm thick  
 • = 37 mm thick  
 • = 38 mm thick  
 • = 39 mm thick  
 • = 40 mm thick  
 • = 41 mm thick  
 • = 42 mm thick  
 • = 43 mm thick  
 • = 44 mm thick  
 • = 45 mm thick  
 • = 46 mm thick  
 • = 47 mm thick  
 • = 48 mm thick  
 • = 49 mm thick  
 • = 50 mm thick  
 • = 51 mm thick  
 • = 52 mm thick  
 • = 53 mm thick  
 • = 54 mm thick  
 • = 55 mm thick  
 • = 56 mm thick  
 • = 57 mm thick  
 • = 58 mm thick  
 • = 59 mm thick  
 • = 60 mm thick  
 • = 61 mm thick  
 • = 62 mm thick  
 • = 63 mm thick  
 • = 64 mm thick  
 • = 65 mm thick  
 • = 66 mm thick  
 • = 67 mm thick  
 • = 68 mm thick  
 • = 69 mm thick  
 • = 70 mm thick  
 • = 71 mm thick  
 • = 72 mm thick  
 • = 73 mm thick  
 • = 74 mm thick  
 • = 75 mm thick  
 • = 76 mm thick  
 • = 77 mm thick  
 • = 78 mm thick  
 • = 79 mm thick  
 • = 80 mm thick  
 • = 81 mm thick  
 • = 82 mm thick  
 • = 83 mm thick  
 • = 84 mm thick  
 • = 85 mm thick  
 • = 86 mm thick  
 • = 87 mm thick  
 • = 88 mm thick  
 • = 89 mm thick  
 • = 90 mm thick  
 • = 91 mm thick  
 • = 92 mm thick  
 • = 93 mm thick  
 • = 94 mm thick  
 • = 95 mm thick  
 • = 96 mm thick  
 • = 97 mm thick  
 • = 98 mm thick  
 • = 99 mm thick  
 • = 100 mm thick



023014/00/110