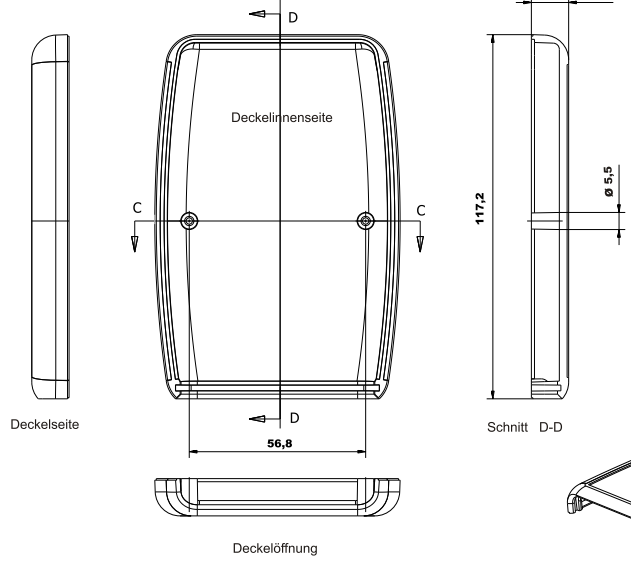
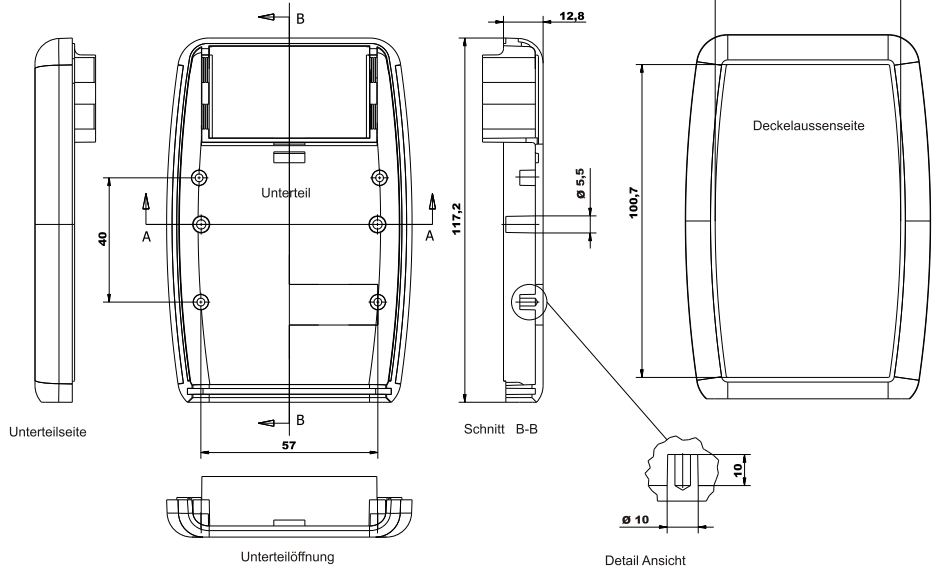
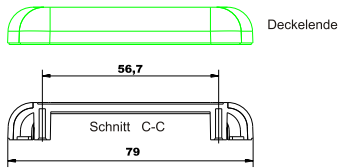
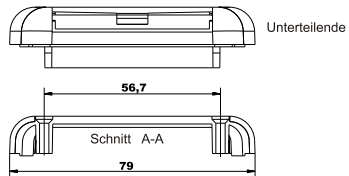
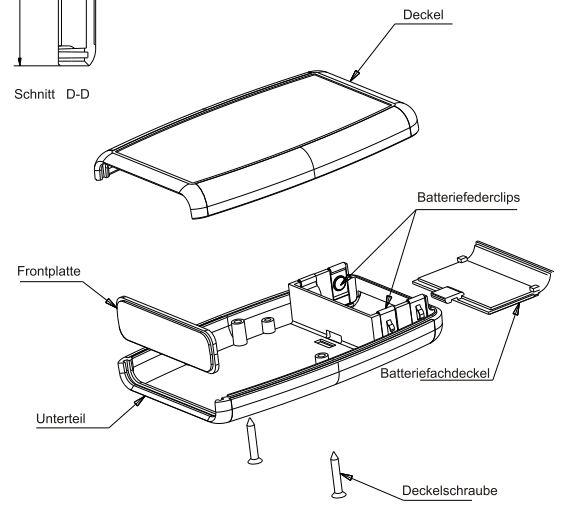
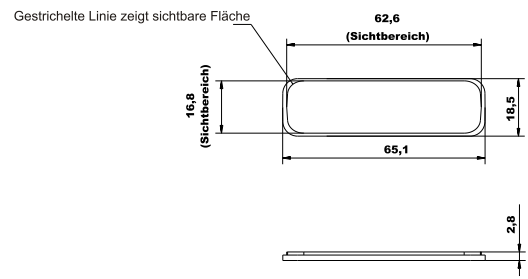


Unterteil

Deckel



Frontplatte



GH02KS046/002: black/dark grey
 GH02KS046/102: white/light grey

RICHARD WÖHR
 GMBH

Gräfenau 58-60
 D-75339 Höfen / Enz

Telefon (07081) 9540-0
 Telefax (07081) 9540-90
 Richard@WoehrGmbh.de
 www.WoehrGmbh.de

Expression:
 Industrial enclosure
 order code:
 GH02KS046/002
 GH02KS046/102

Maße in mm