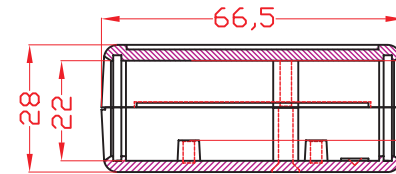
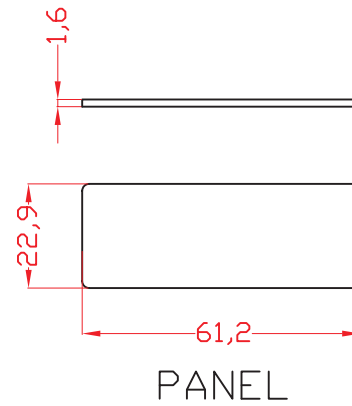
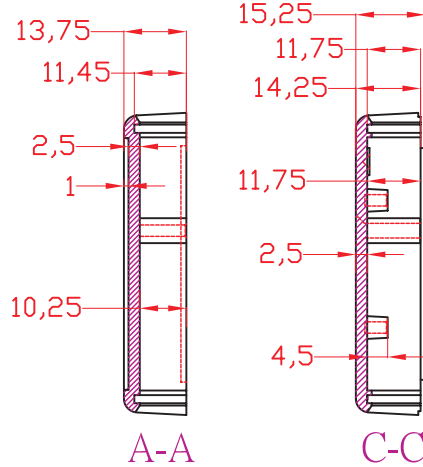


TOP

B-B

BASE

D-D



According to I80 2768-m	
Measuring DIM.=L	Tolerance
0.5<L≤3.0 mm	±0.1 mm
3.0<L≤6.0 mm	±0.1 mm
6.0<L≤30.0 mm	±0.2 mm
30.0<L≤120.0 mm	±0.3 mm
120.0<L≤400.0 mm	±0.5 mm
400.0<L≤1000.0 mm	±0.8 mm

GH02KS029/010: high-impact ABS, light grey
GH02KS029/510: high-impact ABS, black



Gräfenau 58-60
 D-75339 Höfen / Enz
 Telefon (07081) 9540-0
 Telefax (07081) 9540-90
 Richard@WoehrGmbH.de
 www.WoehrGmbH.de

Expression:
Industrial enclosure

Order code:
GH02KS029/010 + 510

Dim
 in
 mm

A