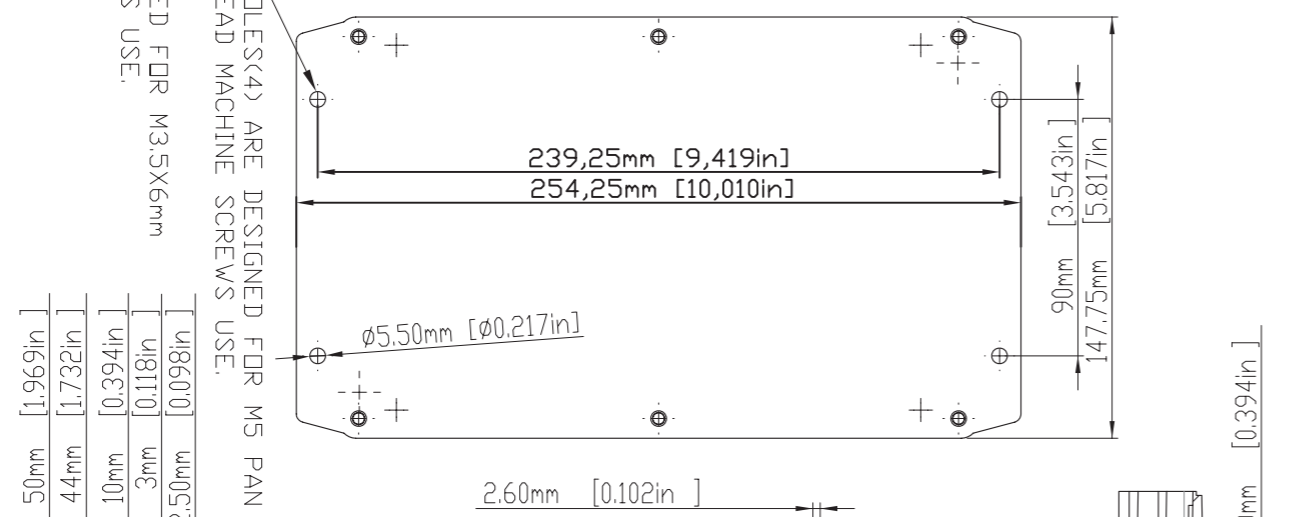
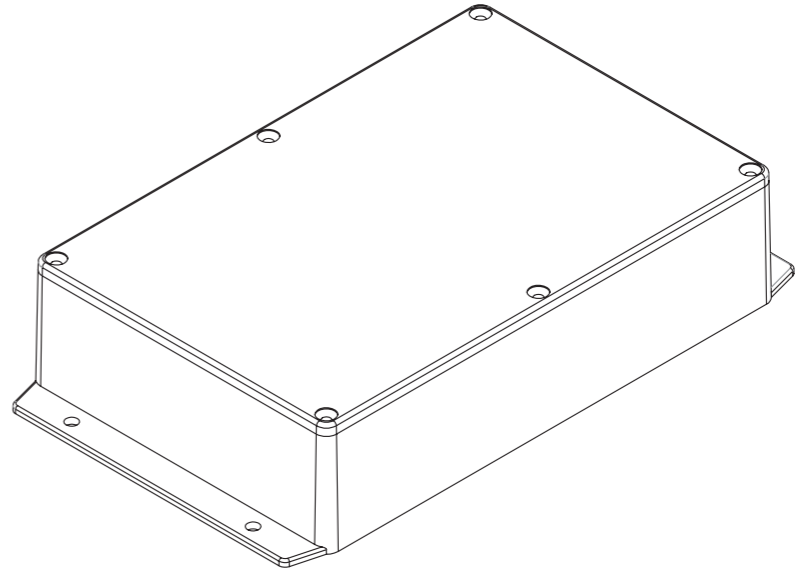
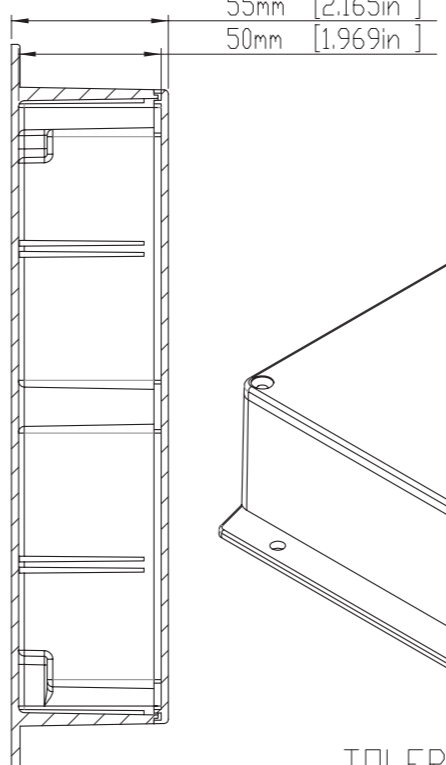


SECTION B-B



SECTION C-C



TOLERANCES: +/- 0.30 mm (+/- 0.012in)

RICHARD WÖHR
 GMBH
 Gräfenau 58-60
 D-75339 Höfen / Enz
 Telefon (07081) 9540-0
 Telefax (07081) 9540-90
 Richard@WoehrGmbh.de
 www.WoehrGmbh.de

Expression:
Industrial enclosure

Order code:
GH02AL001/580

Dim. in inch