

10 9 8 7 6 5 4 3 2 1

G

G

F

F

E

E

D

D

C

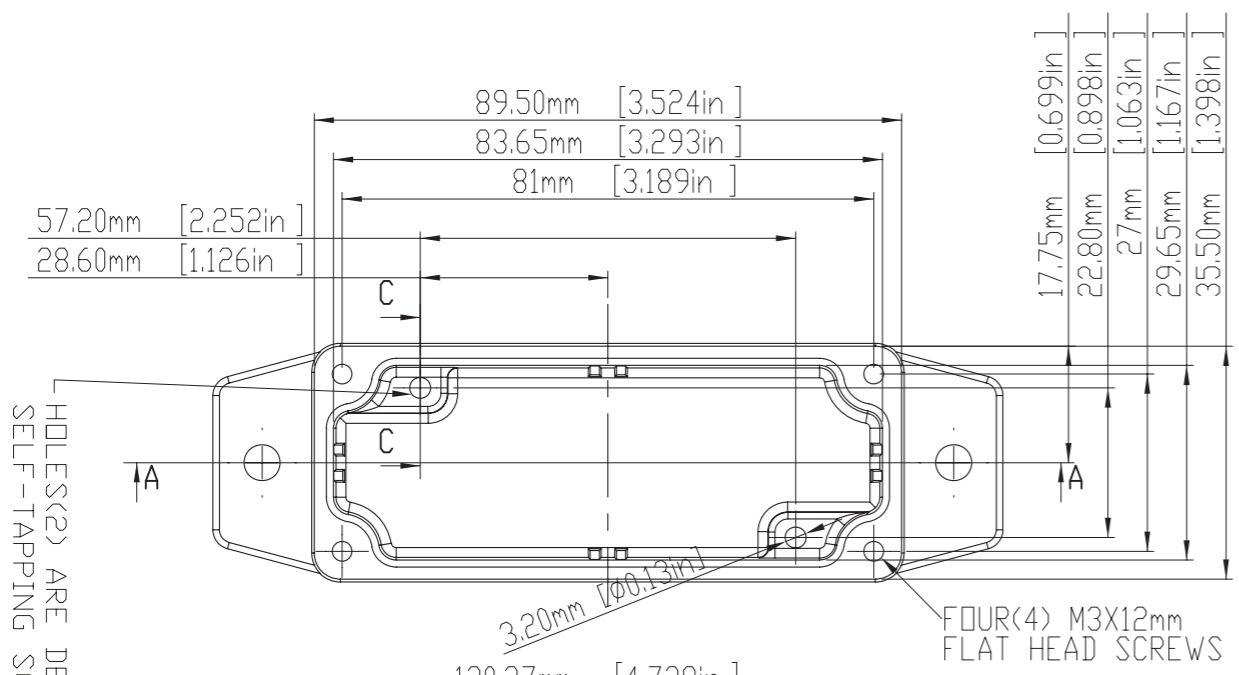
C

B

B

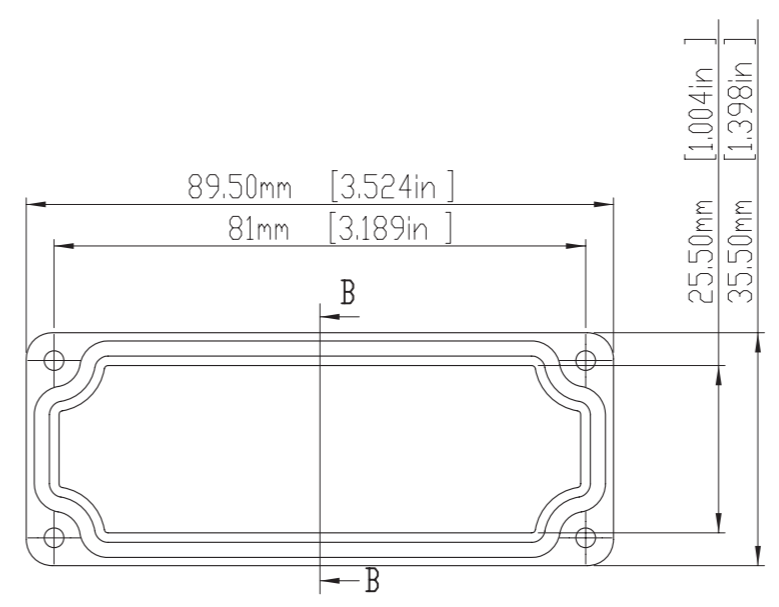
A

A

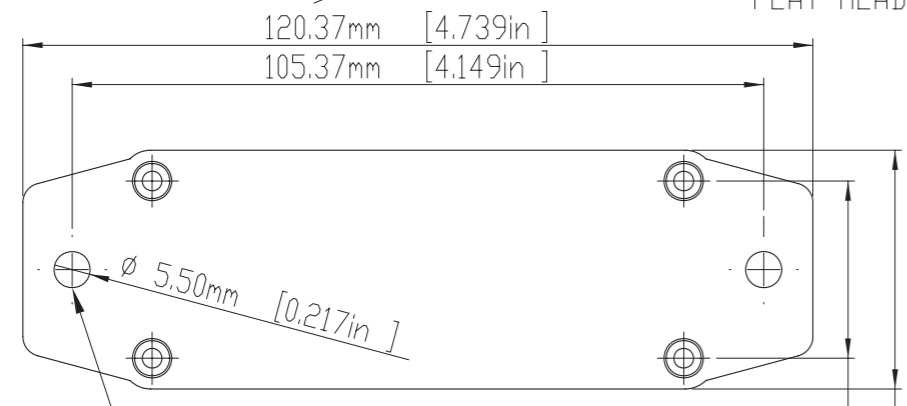


HOLE(S) ARE DESIGNED FOR M3.5X6mm SELF-TAPPING SCREWS USE.

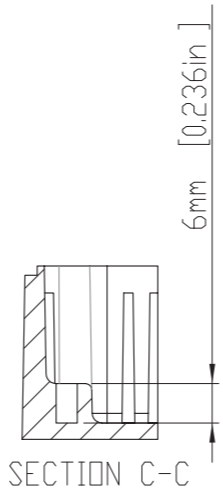
FOUR(4) M3X12mm FLAT HEAD SCREWS



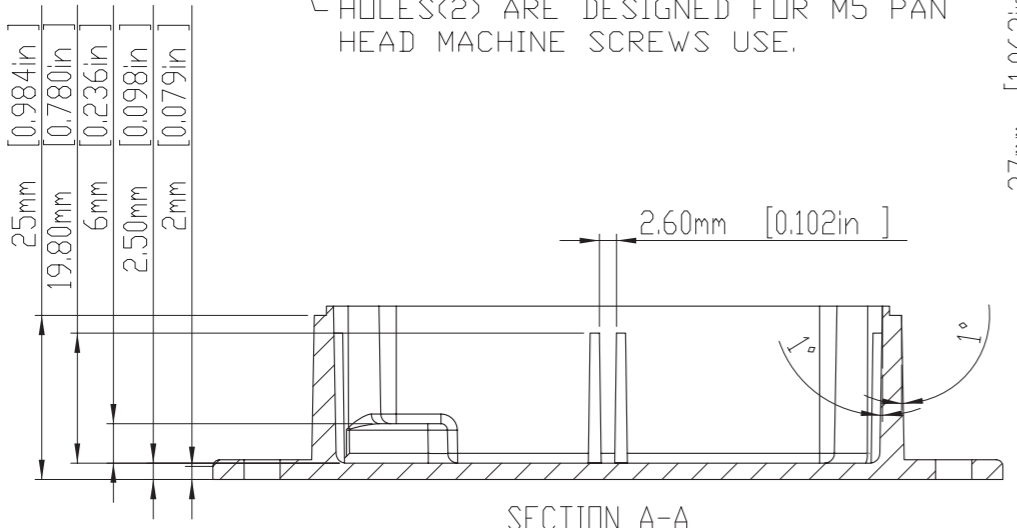
SECTION B-B



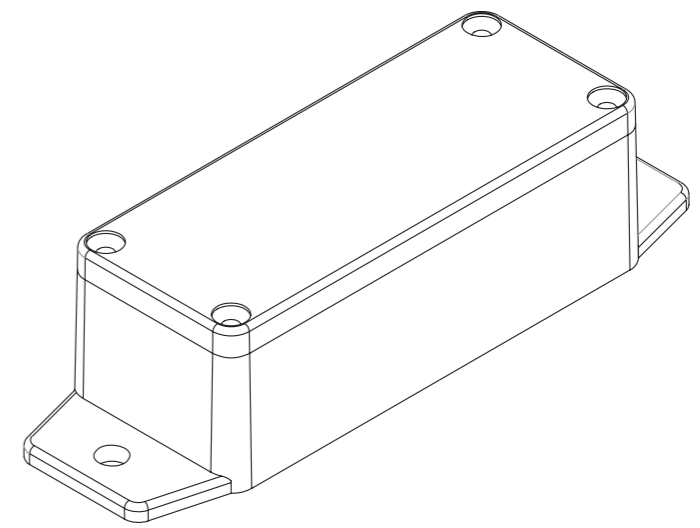
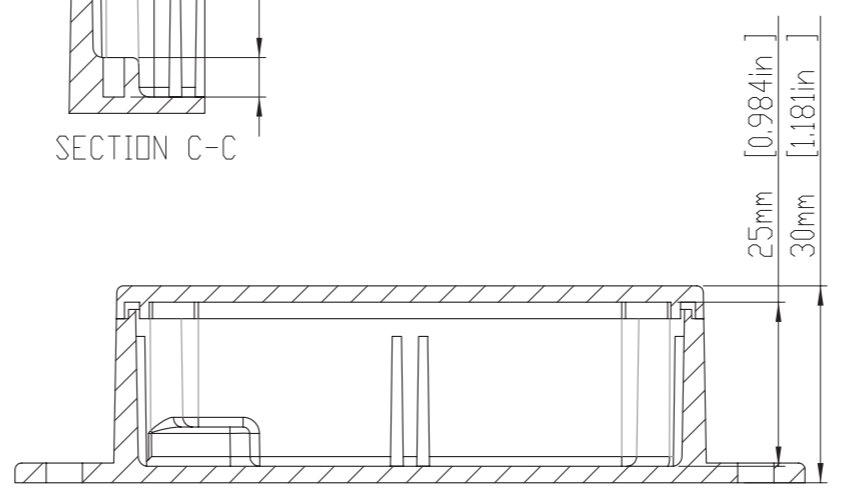
HOLE(S) ARE DESIGNED FOR M5 PAN HEAD MACHINE SCREWS USE.



SECTION C-C



SECTION A-A



RICHARD WÖHR
GMBH

Gräfenau 58-60
D-75339 Höfen / Enz

Telefon (07081) 9540-0
Telefax (07081) 9540-90
Richard@WoehrGmbh.de
www.WoehrGmbh.de

Expression:
Industrial enclosure

Order code:
GH02AL001/510

Dim. in inch

10 9 8 7 6 5 4 3 2 1