

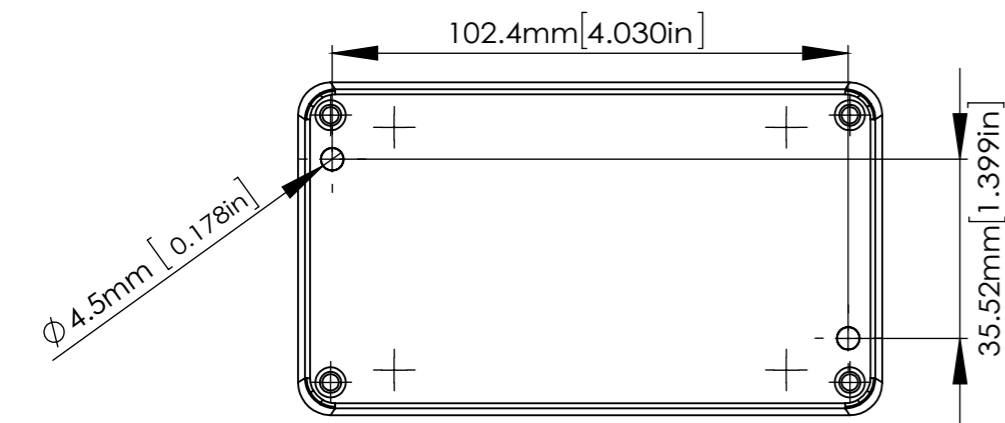
FOUR(4) M4X20mm
FLAT HEAD SCREWS.

29mm [1.139in]
29mm [1.139in]

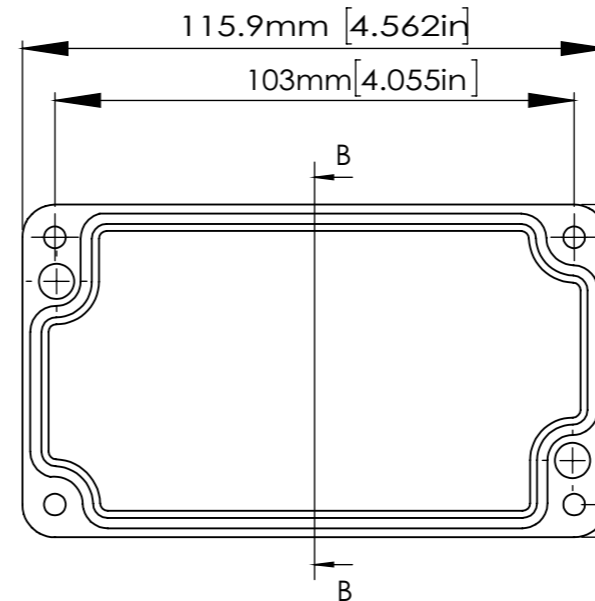
$\phi 3.2\text{mm}$ [0.127in]

50mm [1.969in]
44.5mm [1.751in]
10mm [0.393in]
3mm [0.119in]

SECTION A-A
SCALE 2 : 3

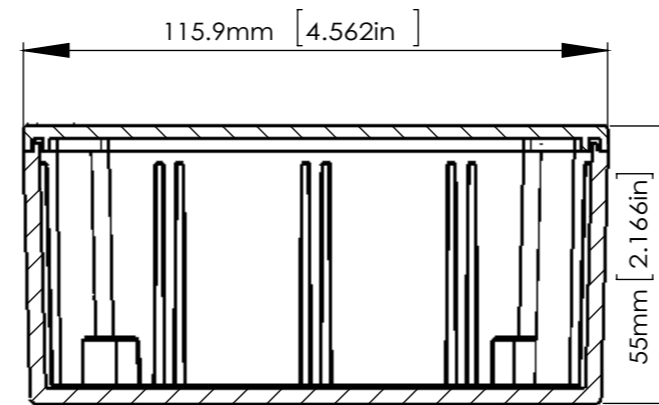


A

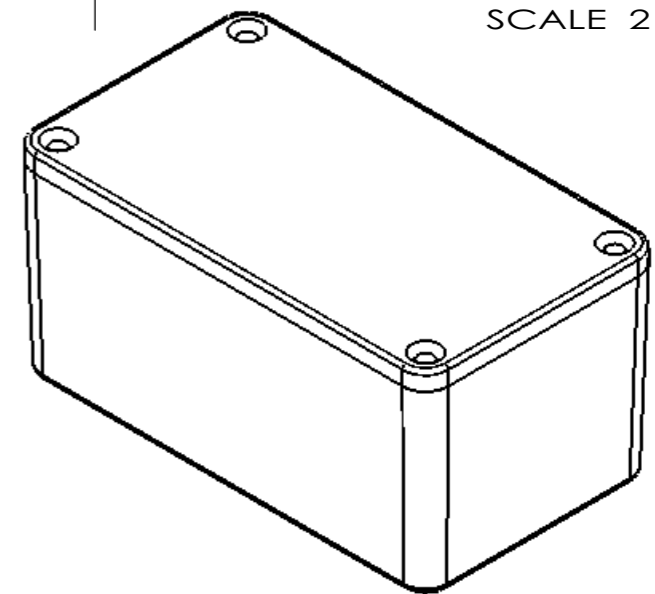


5mm [0.197in]
2.50mm [0.098in]

SECTION B-B
SCALE 2 : 3



ASSEMBLY



According to ISO 2768-m	
Measuring DIM=L	Tolerances
0.5<L<=3.0mm	±0.1mm
3.0<L<=6.0 mm	±0.1mm
6.0<L<=30.0 mm	±0.2mm
30.0<L<=120.0 mm	±0.3mm
120.0<L<=400.0 mm	±0.5mm
400.0<L<=1000.0 mm	±0.8mm

**RICHARD
WÖHR**
GMBH

Gräfenau 58-60
D-75339 Höfen / Enz

Telefon (07081) 9540-0
Telefax (07081) 9540-90
Richard@WoehrGmbh.de
www.WoehrGmbh.de

**Bezeichnung:
Industriegehäuse**

**Artikel-Nummer:
GH02AL001/040**

Maße
in
mm